

Quick Installation Guide

IV200 / IV400 Fixed Bullet



Warning Before Installation

- The product must be installed and protected in a location that is not easily accessible, and is away from impacts or heavy vibration. For example, at the location where the surveillance cameras are looking down or installed at high positions such as on a wall, or at least 3 meters above the ground.
- The product should be used in compliance with local laws and regulations.
- Do not install the product on an unstable mount or surface.
- Do not disassemble the camera or perform maintenance task when power is connected.
- Before installation, the product should be stored in a dry and ventilated environment.
- Use only accessories that comply with the technical specifications of the product.
- Please contact LINEAR'S certified dealers for power adapters.



Avertissement avant installation

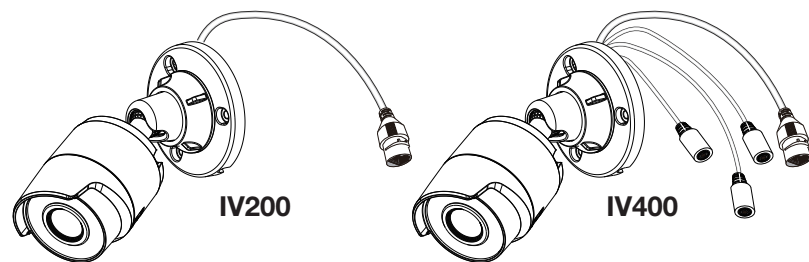
- Le produit doit être installé et protégé dans un endroit difficilement accessible, à l'abri des chocs et des vibrations importantes. Par exemple, à l'endroit où les caméras de surveillance sont dirigées vers le bas ou installées à des endroits élevés, par exemple sur un poteau, un mur ou au moins à 3 mètres du sol.
- Le produit doit être utilisé conformément aux lois et réglementations locales.
- Ne pas installer le produit sur un support ou une surface instable.
- Ne démontez pas la caméra et n'effectuez pas de travaux de maintenance lorsque celle-ci est sous tension.
- Avant l'installation, le produit doit être entreposé dans un endroit sec et ventilé.
- N'utiliser que des accessoires conformes aux spécifications techniques du produit.
- Veillez contacter les revendeurs certifiés LINEAR pour les adaptateurs d'alimentation.



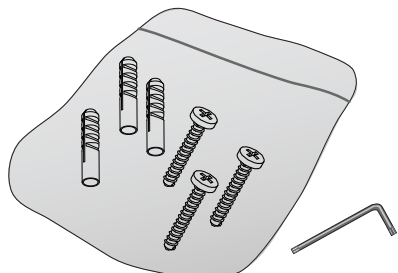
Advertencia antes de la instalación

- El producto debe instalarse y protegerse en un lugar que no sea fácilmente accesible y donde no se someta a impactos o fuertes vibraciones. Por ejemplo, en el lugar donde las cámaras de vigilancia miran hacia abajo o se instalan en posiciones altas, como en un poste, una pared o al menos 3 metros sobre el suelo.
- El producto debe usarse de acuerdo con las leyes y regulaciones locales.
- No instale el producto en un estante o soporte inestables.
- No desmonte la cámara ni realice tareas de mantenimiento cuando esté conectada la alimentación.
- Antes de la instalación, el producto debe almacenarse en un entorno seco y ventilado.
- Use solo accesorios que cumplan con las especificaciones técnicas del producto.
- Póngase en contacto con los distribuidores certificados de LINEAR para los adaptadores de corriente.

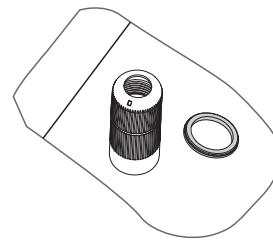
Package Contents / Installation du matériel / Instalación del hardware



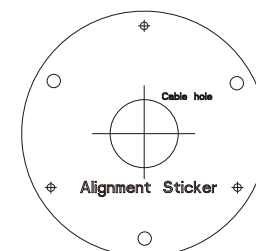
Fixed Bullet Camera



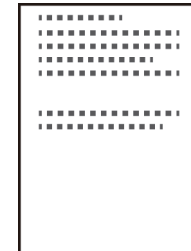
Mounting Hardware



RJ45 Connector Cover



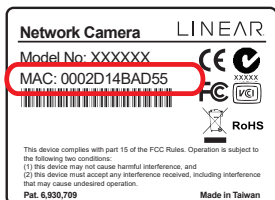
Alignment Sticker



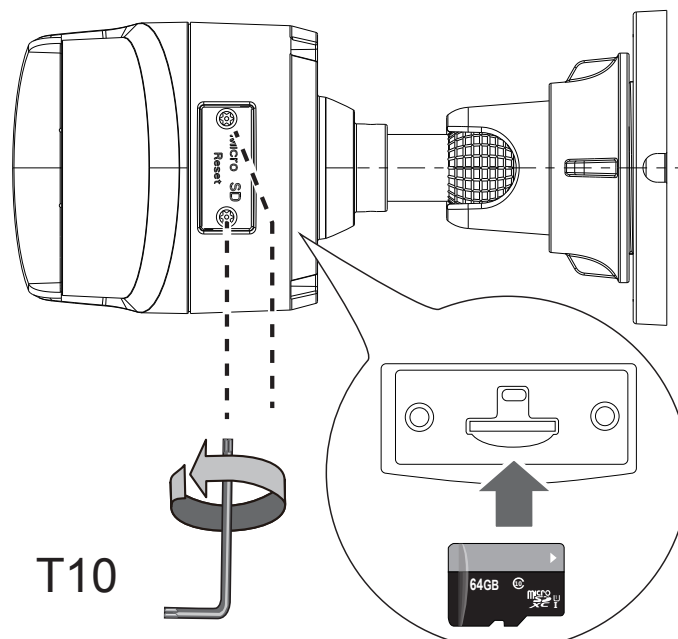
Quick Install Guide

- 1** If mounting the camera prior to initial setup with the NVR, it is recommended to record the following information:

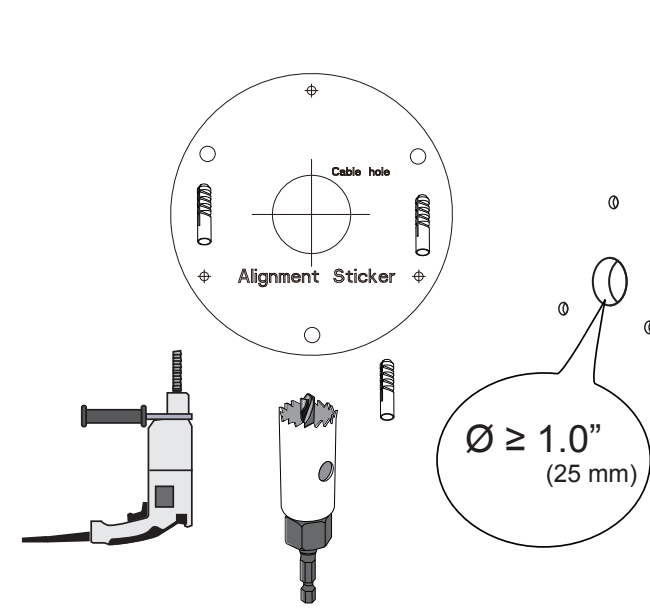
1. Model number
2. MAC address
3. Mounting location on the facility



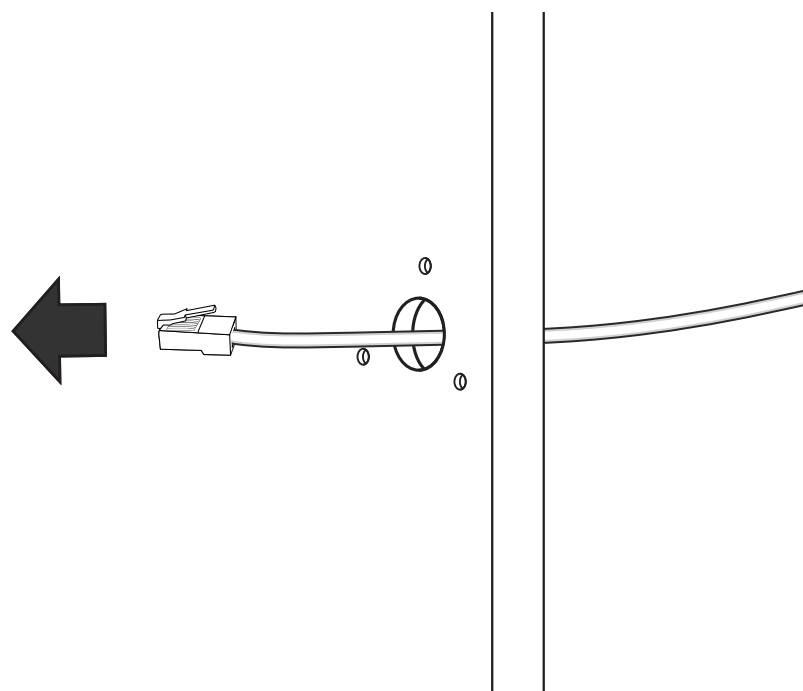
- 2** For local video storage: Remove the Memory Card cover, then insert the memory card. Replace the cover.



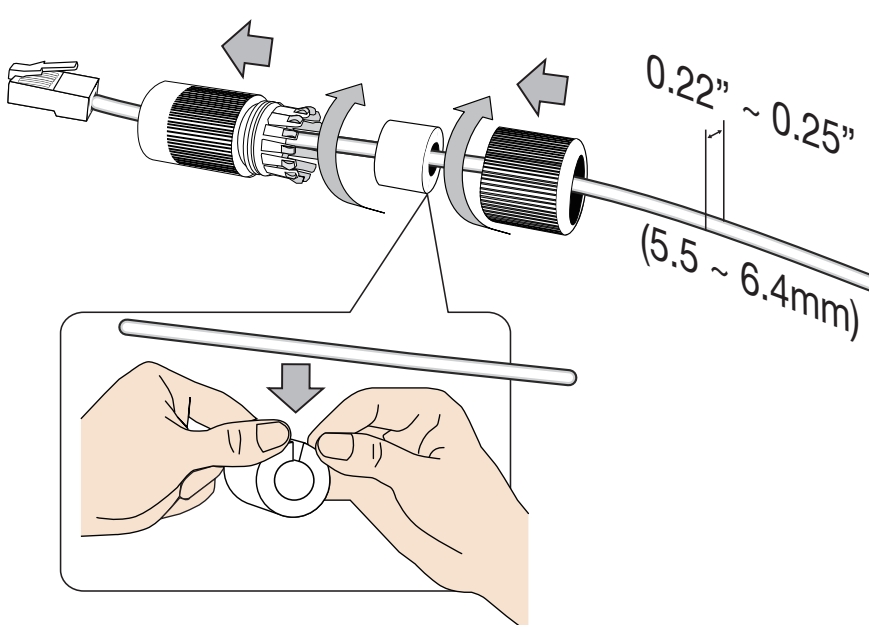
- 3** Choose a location. Use the alignment sticker to mark the four drill holes. Drill the holes, then insert the three wall anchors.



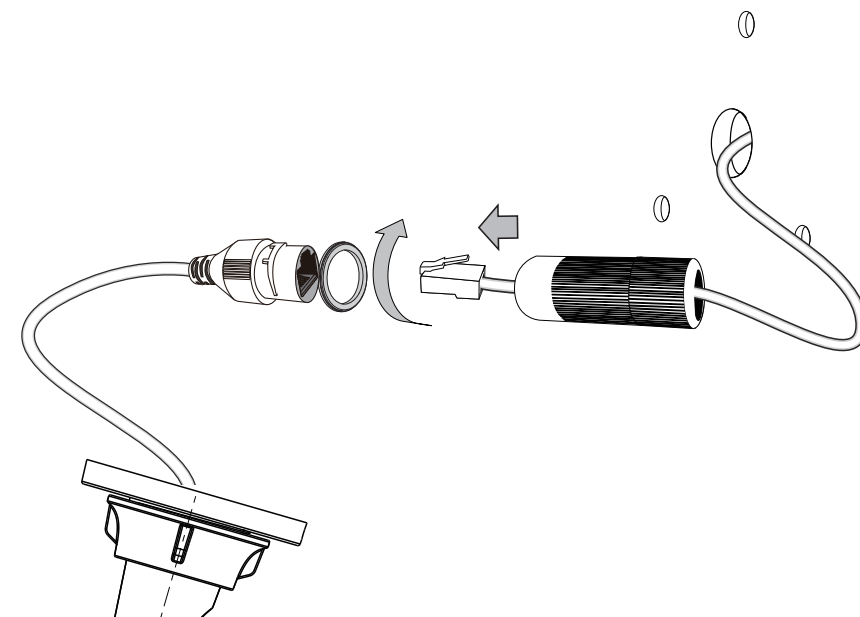
- 4** Feed the network cable through the center hole.



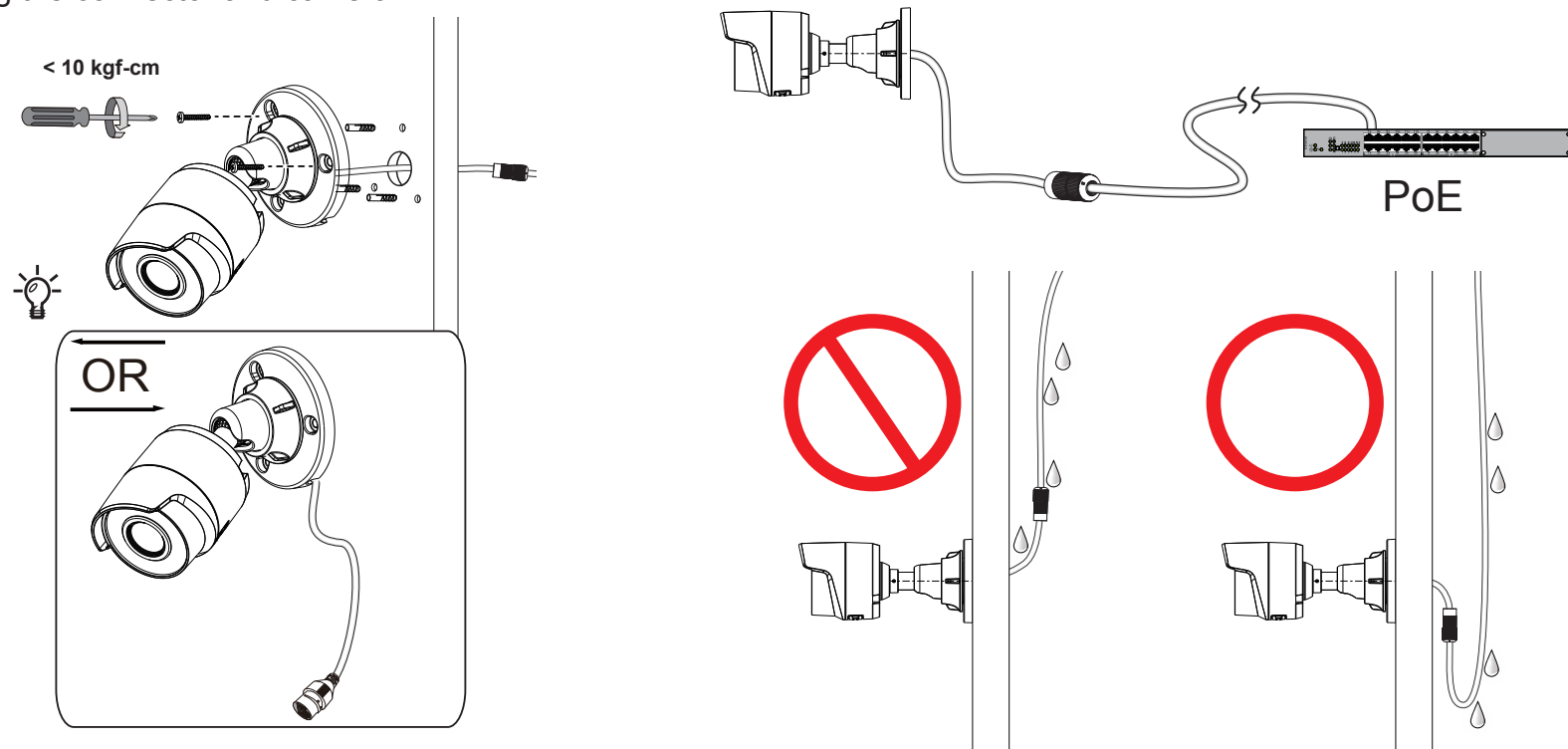
- 5** Attach the provided connector cover and foam to the RJ45 cable.



- 6** Use the supplied O-ring to seal the RJ45 cable and connector to the camera.

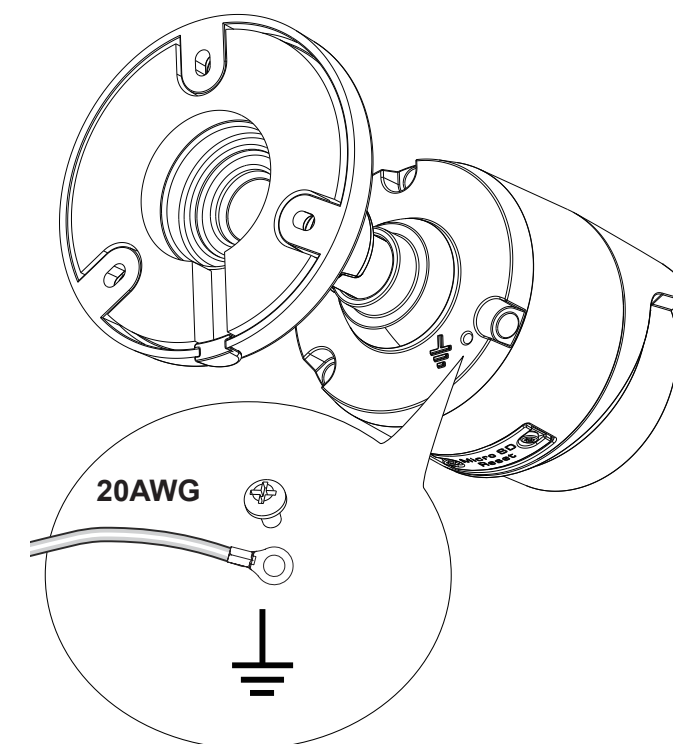


7 Mount the camera. Make certain to leave slack in the cable below the access hole to reduce the chance of water entering the connector and camera.

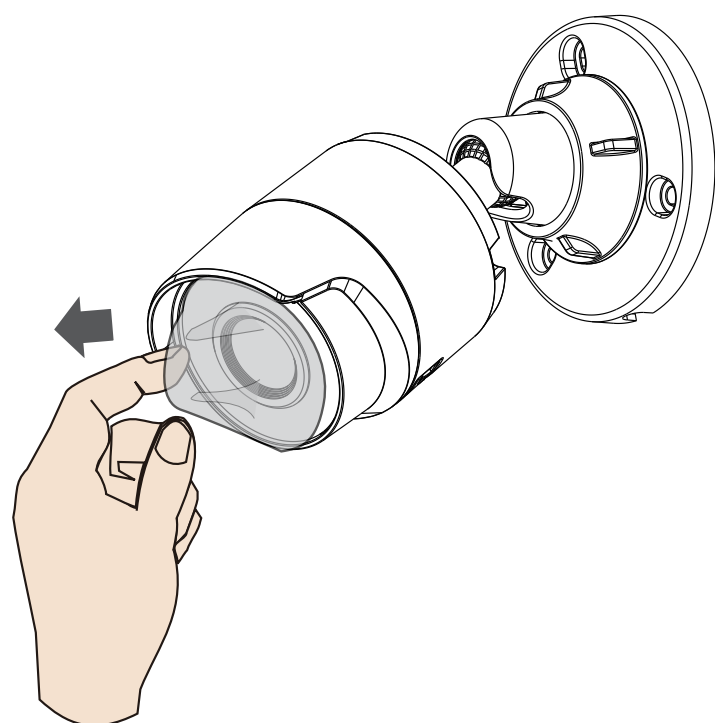


NOTE: Side opening not intended for outdoor use.

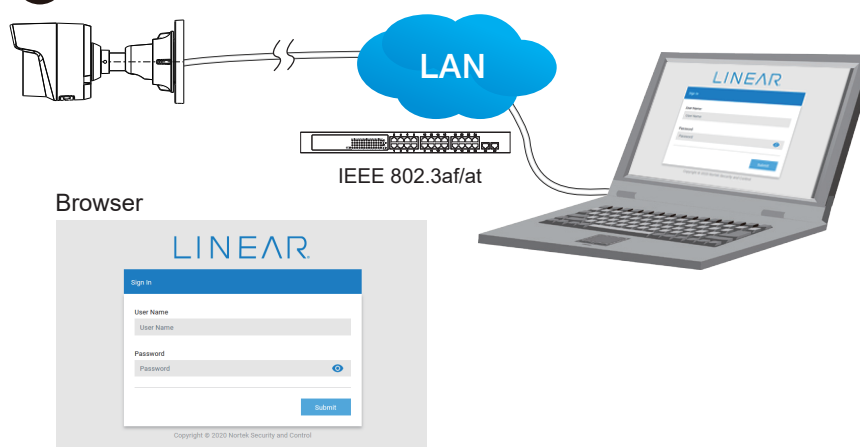
8 Attach the ground wire.



9 Remove the protective cover from the Lens.



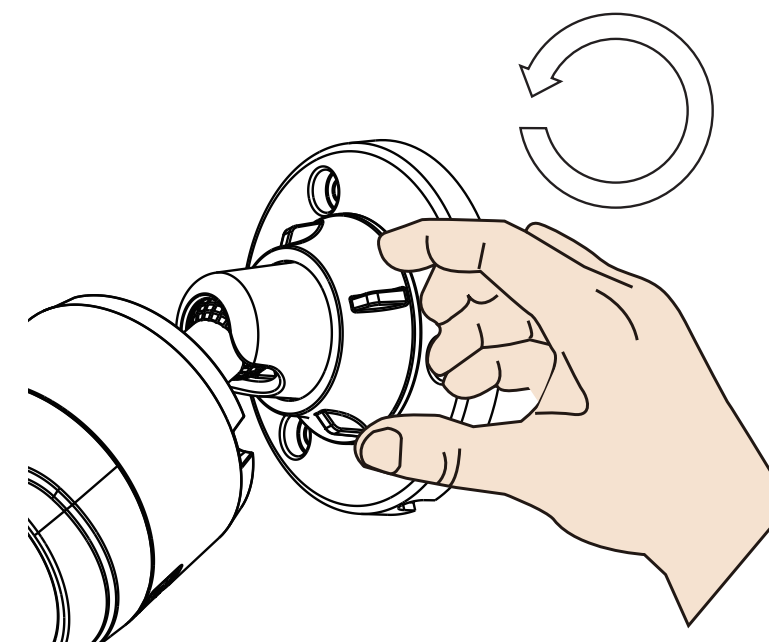
10



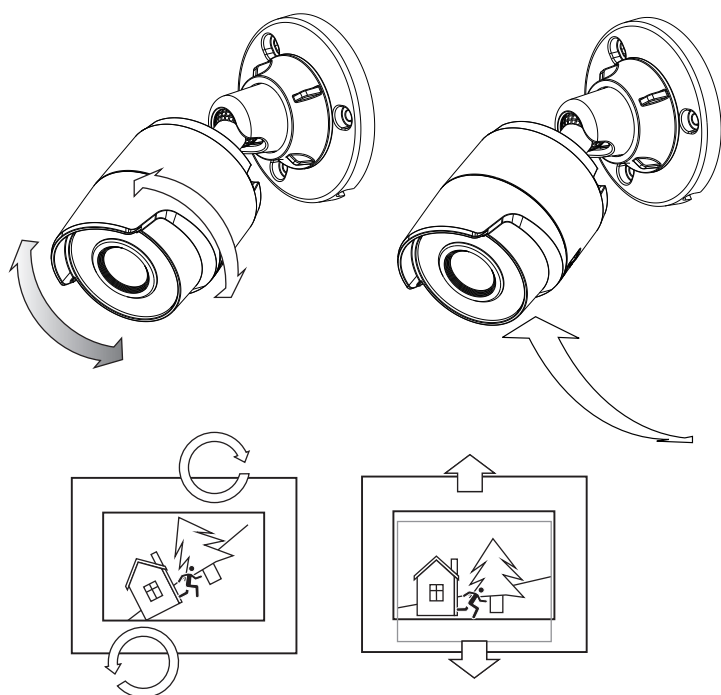
NOTE

- The camera requires IEEE 802.3af/at PoE power to function properly. Use Only UL listed I.T.E active PoE Switch or Mid-Span.
 - IV400 also includes 12vdc power input connection.
- When connected to a Linear NVR directly or over the network, the NVR will automatically find the camera regardless of IP network settings. For direct camera login and management, open a browser to the default IP Address of 192.168.0.230 username = admin, password = linear. Only one camera should be configured at a time to avoid default IP Address conflicts.

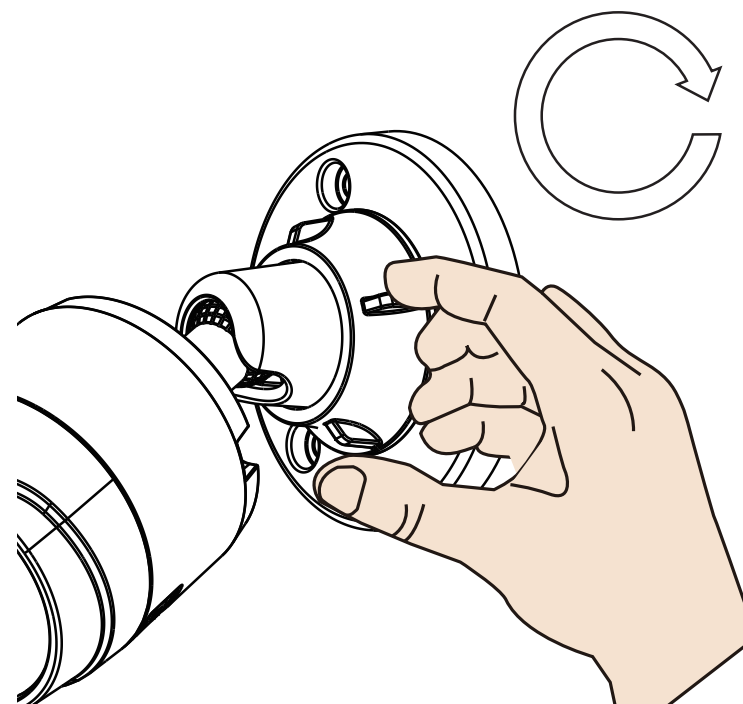
11 Turn the camera lock counter-clockwise to loosen for positioning the camera.



12 Rotate the camera to level the video image.



13 Turn the camera lock clockwise to tighten and lock the camera position in place.



For additional information, download User Manual from linear-solutions.com/product-manuals

LINEAR Technical Support: (800) 421-1587 • M – F 8am – 7pm EST
Sales & Customer Service: (800) 543-4283 • M – F 8am – 7pm EST
www.linear-solutions.com

NORTEK CONTROL ©2022 Nortek Security & Control LLC. All rights reserved. Linear is a registered trademark of Nortek Security & Control LLC. Nortek Security & Control LLC, 5919 Sea Otter Place, Suite 100, Carlsbad, CA 92010 USA