

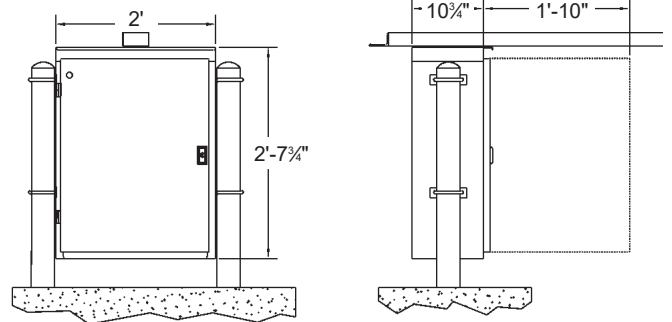


VS-GSWG

Model

VS-GSWG VARIABLE SPEED INDUSTRIAL

- Integral APeX Controller
- For large/heavy swing gates
- Continuous-duty industrial motor, 1/2, 1, or 2 HP
- Linear drive arm — for positive security
- Full variable speed
- Soft start/soft stop capability
- All voltages, single or three phase
- Powder coat finish
- Post mount standard; pad mount optional



VS-GSWG SERIES SWING GATE OPERATOR SPECIFICATIONS

Model	HP	Voltage Single-Phase (Voltage Three-Phase)	Maximum Gate Length	Maximum Gate Weight	Gate Speed	Shipping Weight
VS-GSWG-2	1/2	115 / 230 VAC (208 / 230 / 460 VAC)	28'	1000 lbs	18-22 sec	295 lbs
VS-GSWG-1	1	115 / 230 VAC (208 / 230 / 460 VAC)	32'	1200 lbs	18-22 sec	295 lbs
VS-GSWG-7	2	115 / 230 VAC (208 / 230 / 460 VAC)	36'	1500 lbs	18-22 sec	300 lbs

VS-GSWG Features

Electrical

- Solid state 24V control board UL325/UL991 compliant
- Diagnostic LED display for ease of setup and trouble shooting
- Variable speed — soft start/ stop programmable through variable frequency drive
- 1/2, 1, & 2 HP industrial, continuous-duty, three-phase, 56-frame motors
- Integral entrapment sensing system with digital set point for accurate adjustment and enhanced safety
- Integrated maximum run and auto close timers
- Built-in dual gate capability using 3-wire shielded cable

- 24V DC power available for access control accessories
- Continuous-tone entrapment alarm with reset button
- Integrated warning beeper during gate movement
- Selectable pre-start alarm with provision for ADA compliant visual pre-start and run alarm

Mechanical

- Heavy-duty 60:1 right-angle C-face gear reducer
- Exclusive linear drive arm
- Heavy-duty pillow-block bearings
- Adjustable torque limiter

1 APeX Controls

- UL325/UL991 compliant 24VDC control module
- Full featured for access control, security, and entrapment protection
- Integral MegaCode receiver
- On-board 3-button station

2 Direct C-Face Motor to Gear Box Drive

- Designed for smooth and dependable power transmission

3 Variable Drive Speed

- Programmable variable speed controller for smooth gate operation and high gate speed

4 Heavy-Duty Components

- Adjustable torque limiter and heavy-duty pillow block bearings for smooth, reliable, quiet power transmission
- All models rated for continuous duty

5 Weather-Resistant Cabinet

- Galvannealed steel cabinet with powder coat finish
- Lockable, gasketed, hinged, and removable front cover

6 Standard Convenience Features

- Exterior stop/reset button
- Power on/off button



CAUTION

- Automatic gates not for pedestrians
- Automatic gate operators designed for vehicular traffic only; operators are powerful and can cause serious injury or death; DIRECT ALL PEDESTRIAN TRAFFIC TO SEPARATE PEDESTRIAN GATE
- UL325 requires use of contact or non-contact anti-entrapment devices
- ASTM F2200 requires that all exposed rollers are covered

LINEAR
a Nice brand

linear-solutions.com

Linear® Garage Door Operators, Gate Operators, Access Controls and Radio Controls

Backed by 60 years of pioneering experience in wireless technology, garage door and gate operator manufacturing, and access control systems, the full breadth of the Linear® brand is a leading source for the garage door, gate, and access industries.

Nice

Niceforyou.com

©2023 Nice North America LLC. Linear is a registered trademark of Nice North America LLC. All rights reserved. All other products or name brands are trademark of their respective holders.

224618 Rev-F 02/2023