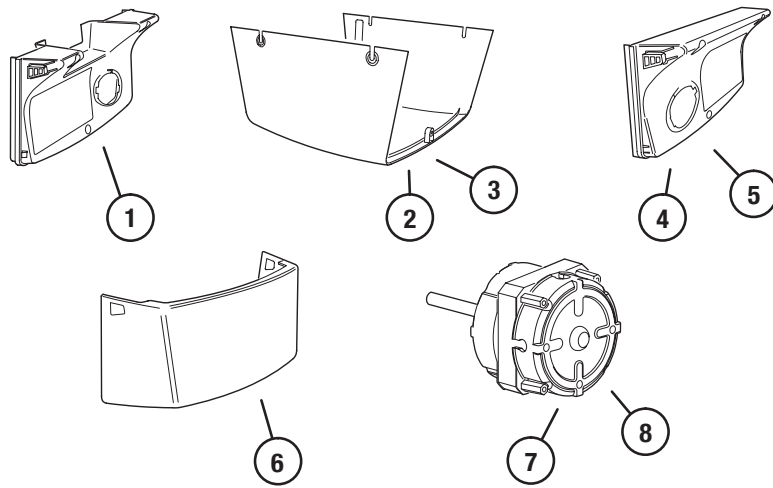
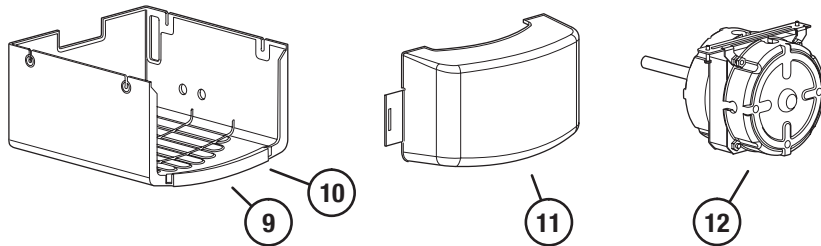


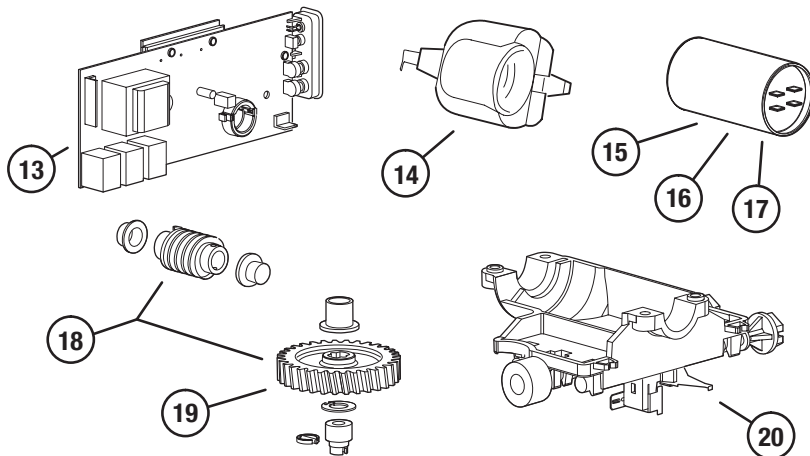
## OPERATOR HEAD PARTS



### LSO & LCO



### LDO



### LSO, LDO, LCO

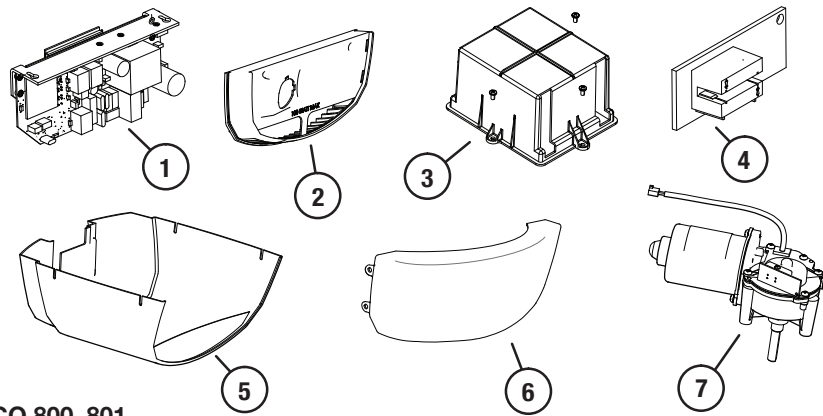
## GARAGE DOOR OPERATOR REPLACEMENT PARTS LIST

ITEM #	REPLACEMENT PART	PART #
1	REAR LSO & LCO END COVER (WITH LABELS)	HAE00041
2	MAIN LSO COVER (WITH LABELS)	HAE00026
3	MAIN LCO COVER (WITH LABELS)	HAE00042
4	FRONT LSO COVER (WITH LABELS)	HAE00028
5	FRONT LCO COVER (WITH LABELS)	HAE00043
6	LSO & LCO LENS COVER (FITS BOTH ENDS)	220918
7	LSO MOTOR	220919 (EOL*)
8	LCO MOTOR	220919 (EOL*)
9	1/3 HP LDO COVER (WITH LABELS)	HAE00011
10	1/2 HP LDO COVER (WITH LABELS)	HAE00012
11	LDO LENS COVER	217645
12	LDO MOTOR	217881 (EOL*)
13	CONTROL BOARD (LOGIC/RECEIVER/TORQUE)	HAE00040
14	LAMP SOCKET ASSEMBLY	218014-02
15	1/3 HP CAPACITOR (43-53 MFD) FOR LD033 ONLY	219109
16	1/2 HP CAPACITOR (53-64 MFD) FOR LD050 ONLY	219110
17	3/4 HP CAPACITOR (65 MFD) FOR LC075 ONLY	232168
18	HELICAL AND WORM GEARS (WITH GREASE)	HAE00047
19	HELICAL GEAR (WITH GREASE)	HAE00048
20	LIMIT SWITCH ASSEMBLY	HAE00004

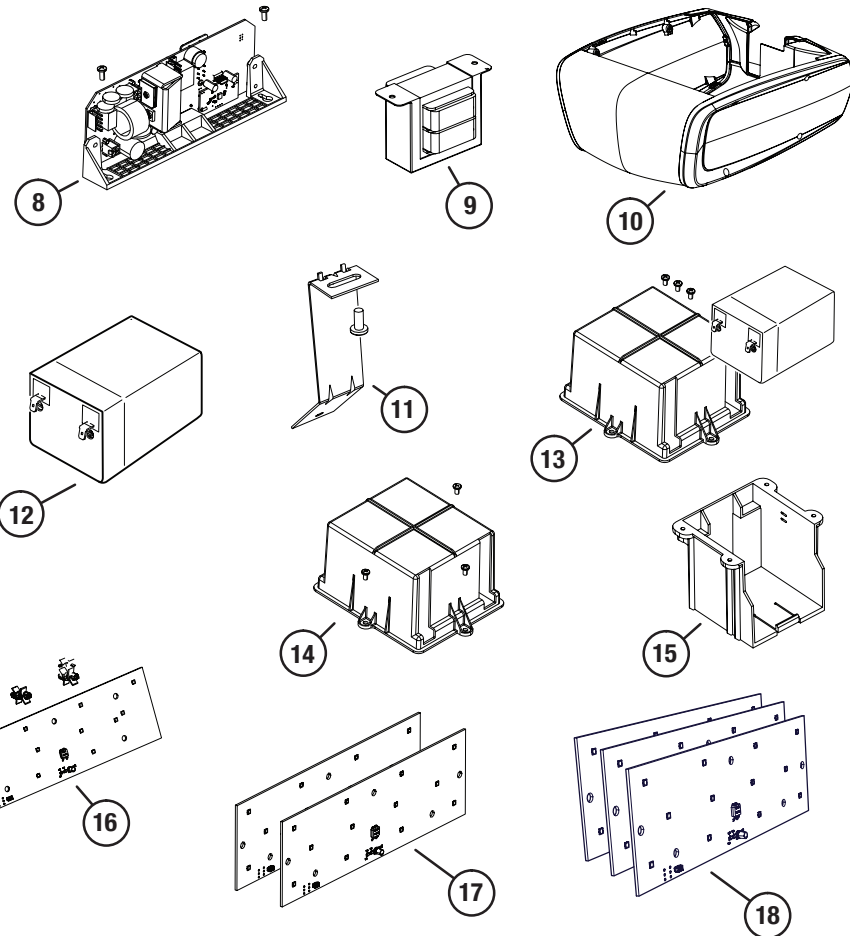
\* End of Life

## GARAGE DOOR OPERATOR REPLACEMENT PARTS LIST

### DC OPERATOR HEAD PARTS



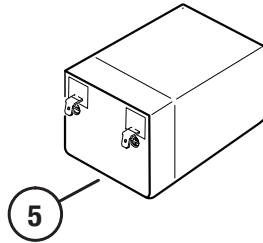
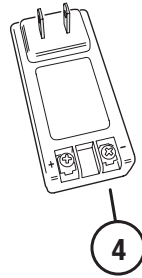
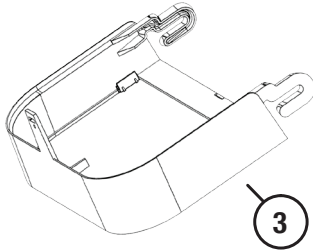
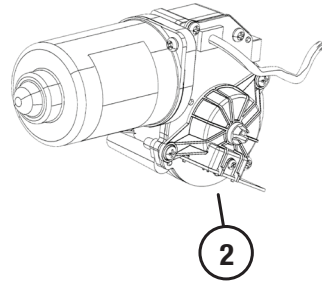
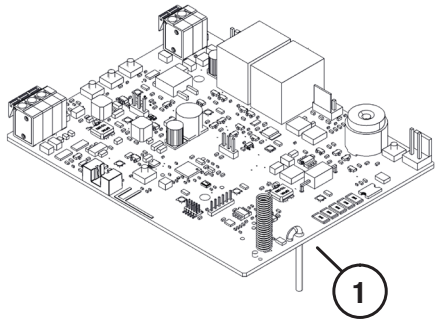
LDCO 800, 801



LDCO 850, 852, 841, 863B

ITEM #	REPLACEMENT PART	PART #
1	LDCO CONTROL BOARD, BBU COMPATIBLE (800/801)	HAE00077
2	LDCO FRONT COVER (WITH LABEL) (800/801)	HAE00051
3	BATTERY BACKUP UNIT (800/801)	BBU
4	LDCO ENCODER BOARD (800/801/841/850/852/863B)	HAE00058
5	LDCO MAIN COVER (WITH LABELS) (800/801)	HAE00052
6	LDCO LIGHT LENS (800/801/850)	228152
7	LDCO MOTOR (WITH ENCODER) (800/801/841/850/852/863B)	HAE00057
8	KIT, PCBA, LDCO (841/850/852/863B)	HAE00075
9	TRANSFORMER (841/850/852/863B)	10012046
10	COVER, MAIN (841/863B)	HAE00073
11	BRACKET KIT (852)	10016007
12	REPLACEMENT BATTERY, 12V (841/850/852/863B)	BATT54
13	BATTERY AND HOUSING (841/850)	BATT54BOX
14	BATTERY HOUSING (850/863B)	10015410-004
15	BATTERY HOUSING (852)	10015932-001
16	LED PANEL (841/850)	10014504-01
17	LED PANELS (852)	RP9004
18	LED PANELS (863B)	RP9005

## DC OPERATOR HEAD PARTS

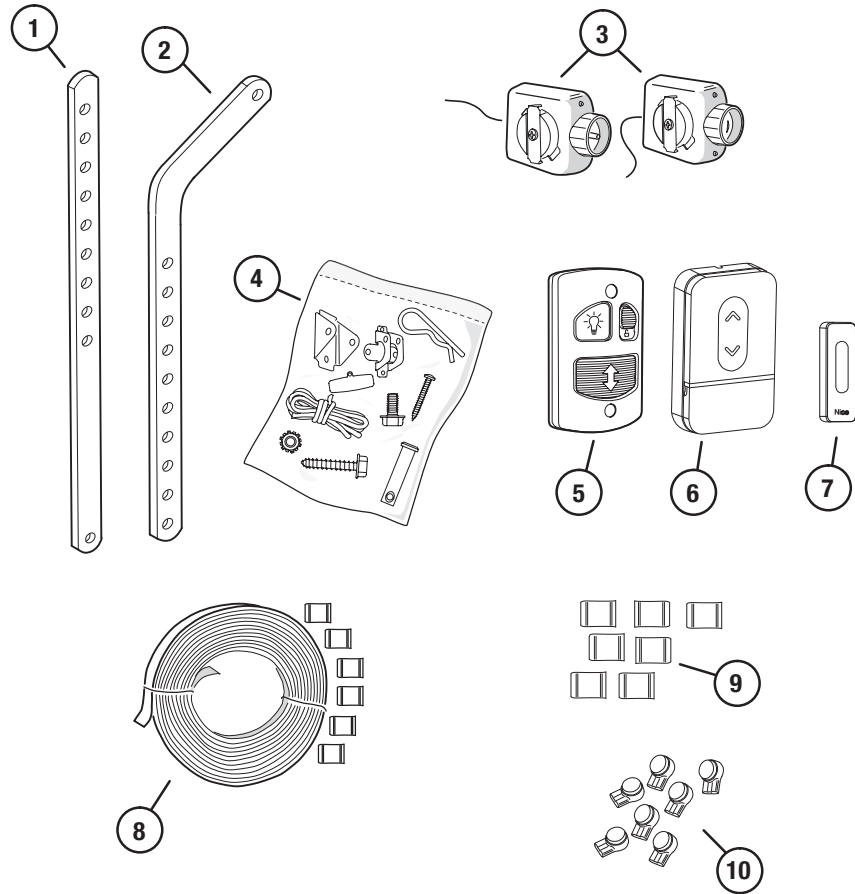


## GARAGE DOOR OPERATOR REPLACEMENT PARTS LIST

ITEM #	REPLACEMENT PART	PART #
1	F/G CONTROL BOARD, LINEAR600	HAE00082
2	F/G ASSY, MOTOR W/ENCODER, LINEAR600	HAE00083
3	F/G ASSY, LIGHT LENS, LINEAR600	HAE00084
4	F/G POWER SUPPLY, LINEAR600 BATT54	HAE00085
5	REPLACEMENT BATTERY, 12V (841/850/852/863B)	BATT54

LINEAR 661

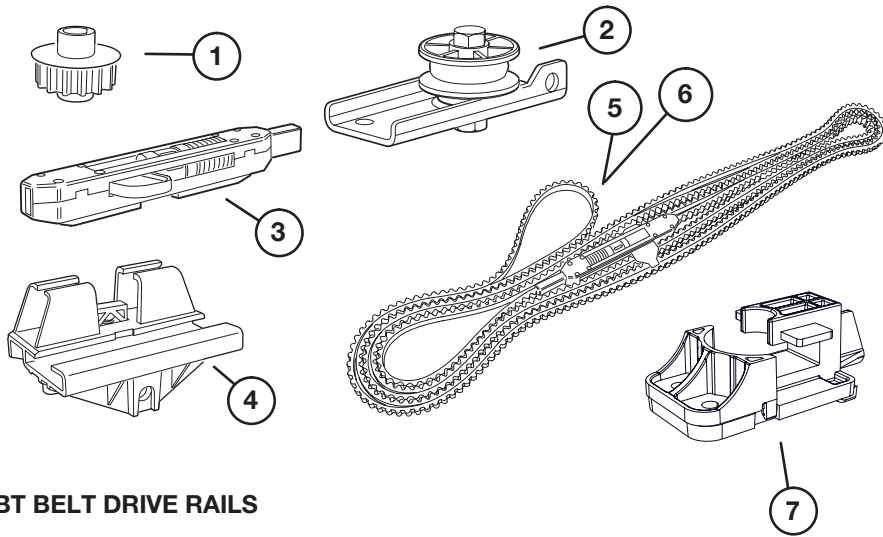
## MISCELLANEOUS OPERATOR PARTS



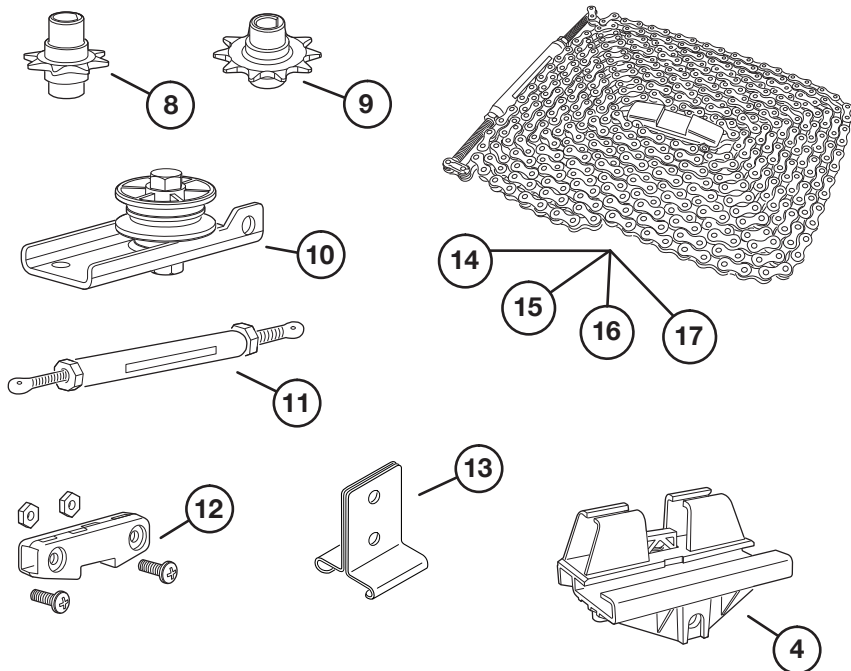
## GARAGE DOOR OPERATOR REPLACEMENT PARTS LIST

ITEM #	REPLACEMENT PART	PART #
1	DOOR ARM - STRAIGHT	227966
2	DOOR ARM - BENT	227967
3	SAFETY BEAM SENDER & RECEIVER (WITH WIRE)	HAE00087
4	COMPLETE HARDWARE KIT	220205-02
5	WALL STATION (LDO/LSO/LCO/800/801)	HAE00001
6	WIFI WALL STATION (UNIVERSAL REPLACEMENT FOR LDCO841 /850/852/863, LINEAR600)	HAE00080
7	WALLBUTTON, LIGHTED, NICE	HAE00088
8	WIRE KIT (15 SETS OF WIRE AND CLIPS)	HAE00044
9	WIRE CLIP KIT (100 CLIPS)	HAE00019
10	GEL CAP KIT (100 PIECES)	HAE00020

## OPERATOR RAIL PARTS



## HBT BELT DRIVE RAILS



## HCT and HCI CHAIN DRIVE RAILS

## GARAGE DOOR OPERATOR REPLACEMENT PARTS LIST

ITEM #	REPLACEMENT PART	PART #
1	HBT DRIVE SPROCKET	220499
2	HBT PULLEY AND BRACKET	218954-03
3	HBT INNER SLIDE ASSEMBLY	HAE00022
4	TROLLEY ASSEMBLY	218189-01
5	7 FOOT BELT ASSEMBLY	HAE00023
6	8 FOOT BELT ASSEMBLY	HAE00033
7	DRIVE SPROCKET HOLDER AND BELT CLAMP BELT CLAMP FOR USE ON HBT BELT RAILS ONLY	HAE00049
8	HCT DRIVE SPROCKET	217436
9	HCI DRIVE SPROCKET	227653
10	HCT PULLEY AND BRACKET	HAE00014
11	HCT TURNBUCKLE ASSEMBLY	HAE00013
12	HCT INNER SLIDE ASSEMBLY	HAE00018
13	CENTER SUPPORT BRACKET	CSB
14	7 FOOT CHAIN ASSEMBLY	HAE00015
15	8 FOOT CHAIN ASSEMBLY	HAE00032
16	10 FOOT CHAIN ASSEMBLY	HAE00017
17	12 FOOT CHAIN ASSEMBLY	HAE00046

### Customer Service

760-438-7000

Monday–Friday, 5:00 a.m. – 4:00 p.m. PST

### Nice North America LLC

5919 Sea Otter Place, Suite 100

Carlsbad, CA 92010

Nice

Niceforyou.com